

**MODEL****AW - IPC****www.autowins.co.kr****ISOLATED POWER DISTRIBUTOR****● GENERAL SPECIFICATION**

- Construction : Plug -in
- Wring : M3.5 Screw Terminal
- Isolation : Power to Input to Output1 to Output2
- Adjustment : Zero & Span  $\pm 20\%$  of full scale

**● INPUT**

- Range : 4~20mA
- Ext'Power supply : DC12V~30V(50mA Max)
- Resistance : 250 $\Omega$  Max

**● OUTPUT**

- DC VOLTAGE :  $\pm 12V$  Max
- Load Resistance

Output	Resistance
0 ~ 10mV	1K $\Omega$ or more
0 ~ 100mV	1K $\Omega$ or more
0 ~ 1V	1K $\Omega$ or more
0 ~ 5V	2K $\Omega$ or more
0 ~ 10V	4K $\Omega$ or more
-10V ~ 10V	4K $\Omega$ or more

- DC CURRENT : 0 ~ 20mA
- Load Resistance

Output	Resistance
0 ~ 1mA	15K $\Omega$ or less
0 ~ 10mA	1.5K $\Omega$ or less
0 ~ 20mA	750 $\Omega$ or less
1 ~ 5mA	3K $\Omega$ or less
4 ~ 20mA	750 $\Omega$ or less

- Display range : -999~1999,3 1/2 digit (available decimal point)

**● INSTALLATION**

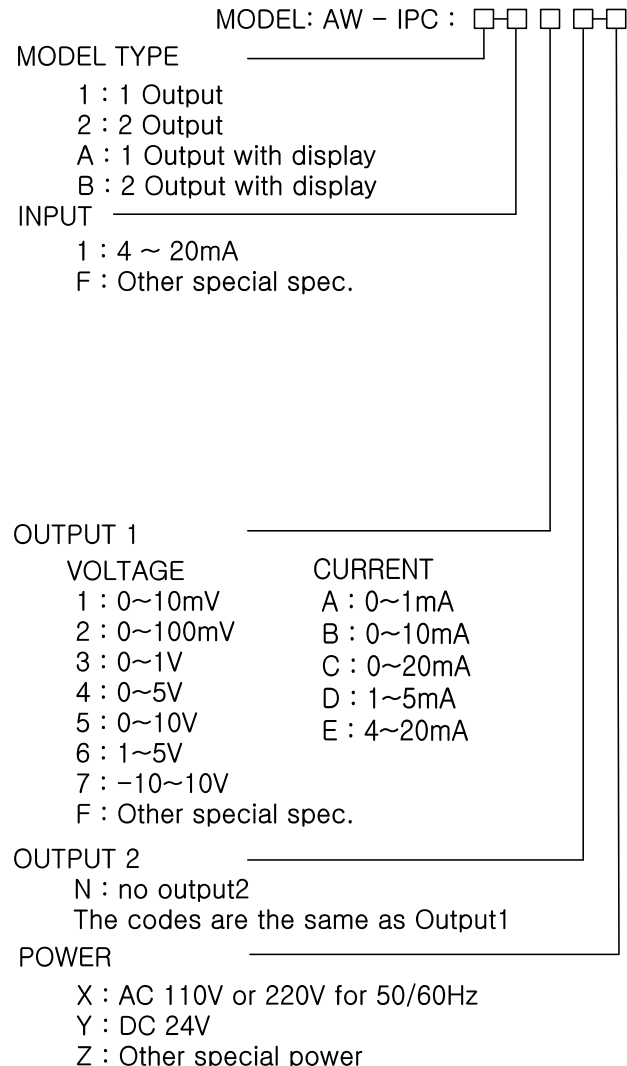
- Operating temperature : -5 $^{\circ}$ C ~ 55 $^{\circ}$ C
- Operating humidity : 90%RH Max (none condensing)
- Power supply
  - AC : 110V or 220V/60Hz  $\pm 10\%$ , approx 3VA
  - DC : 24V  $\pm 20\%$ , approx 3VA
- Power selection : AC 110V/220V Switch in the back plane
- Mounting : Wall or DIN rail

**● PERFORMANCE**

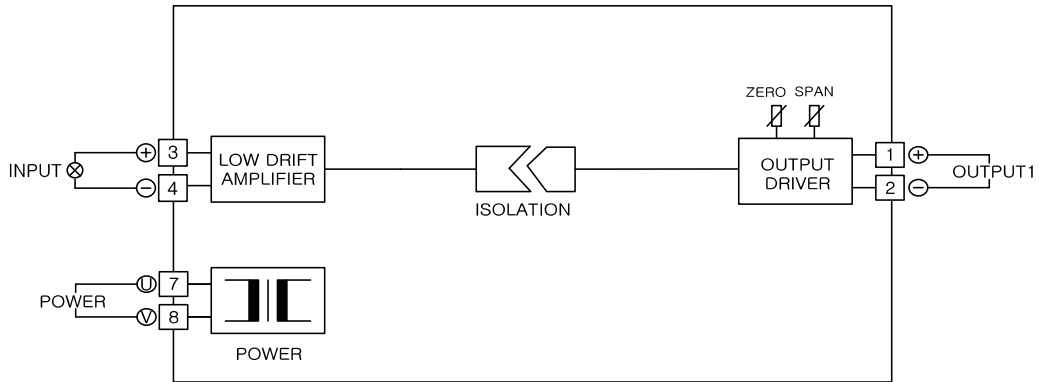
- Accuracy :  $\pm 0.2\%$  of full scale
- Temp'coefficient :  $\pm 0.015/\%$
- Response time : 0.5 Sec or less(0~90%)
- Insulation resistance : 100M $\Omega$  or more with 500VDC(Input/Output/Power)
- Dielectric strength : 1500VAC at 1minute (Input to Output to Power)



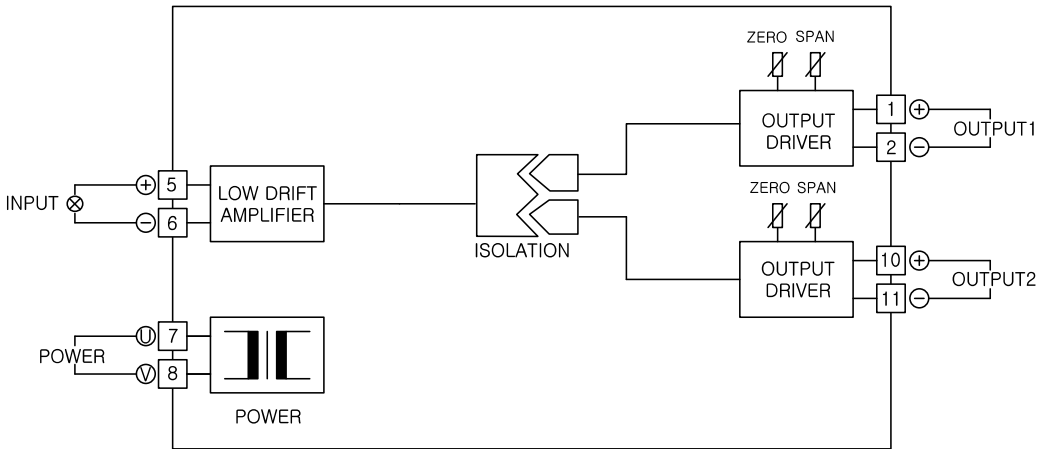
The converter AW - IPC supplies power to 2-wire single loop system and accepts its DC signal, provides isolated DC outputs.

**● ORDERING CODE SELECTION**

● **1 OUTPUT CONNECTION DIAGRAM**

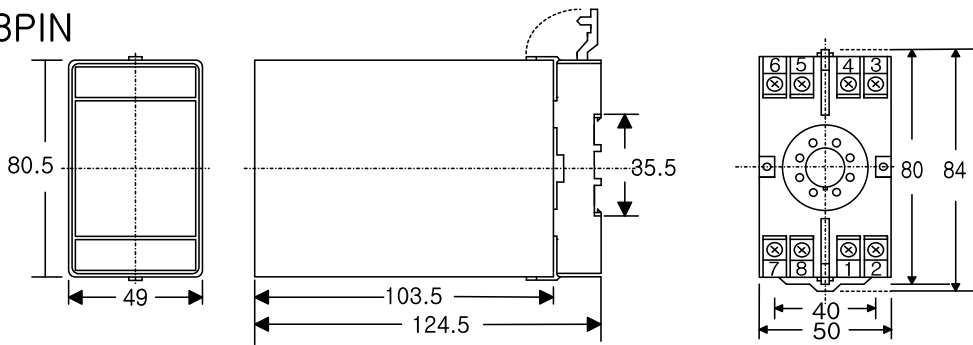


● **2 OUTPUT CONNECTION DIAGRAM**



● **DEMENSION**

■ **8PIN**



■ **11PIN**

