

<b>MODEL</b>	<b>AW - ISO</b>
<b>www.autowins.co.kr</b>	

# DC SIGNAL ISOLATION CONVERTER

## ● GENERAL SPECIFICATION

- Construction : Plug -in
- Wring : M3.5 Screw Terminal
- Isolation : Power to Input to Output1 to Output2
- Adjustment : Zero & Span  $\pm 20\%$  of full scale

## ● INPUT

### ◆ DC VOLTAGE

- Range :  $\pm 300V$  Max
- Resistance :  $20K\Omega$  Min at  $\pm 1V$   
 $1M\Omega$  Min at  $\pm 10V$

### ◆ DC CURRENT

- Range :  $50mA$  Max
- Resistance :  $250\Omega$  Max

## ● OUTPUT

- DC VOLTAGE :  $\pm 12V$  Max
- Load Resistance

Output	Resistance
0 ~ 10mV	1K $\Omega$ or more
0 ~ 100mV	1K $\Omega$ or more
0 ~ 1V	1K $\Omega$ or more
0 ~ 5V	2K $\Omega$ or more
0 ~ 10V	4K $\Omega$ or more
-10V ~ 10V	4K $\Omega$ or more

- DC CURRENT : 0 ~ 20mA
- Load Resistance

Output	Resistance
0 ~ 1mA	15K $\Omega$ or less
0 ~ 10mA	1.5K $\Omega$ or less
0 ~ 20mA	750 $\Omega$ or less
1 ~ 5mA	3K $\Omega$ or less
4 ~ 20mA	750 $\Omega$ or less

- Display range : -999~1999,3 1/2 digit (available decimal point)

## ● INSTALLATION

- Operating temperature :  $-5^{\circ}C \sim 55^{\circ}C$
- Operating humidity : 90%RH Max (none condensing)
- Power supply  
AC : 110V or 220V/60Hz  $\pm 10\%$ , approx 3VA  
DC : 24V  $\pm 20\%$ , approx 3VA
- Power selection : AC 110V/220V Switch in the back plane
- Mounting : Wall or DIN rail

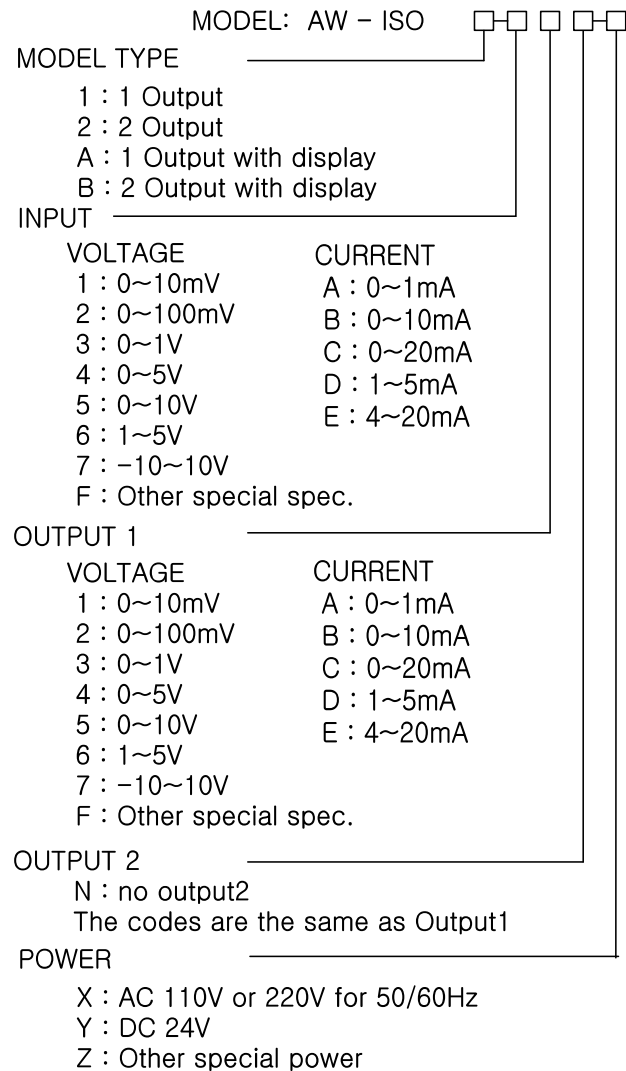
## ● PERFORMANCE

- Accuracy :  $\pm 0.1\%$
- Temp'coefficient :  $\pm 0.015/\%$
- Response time : 0.5 Sec or less(0~90%)
- Insulation resistance : 100M $\Omega$  or more with 500VDC(Input/Output/Power)
- Dielectric strength : 1500VAC at 1minute (Input to Output to Power)



The model AW-ISO is an DC signal isolation converter that provides isolated proportional DC outputs.

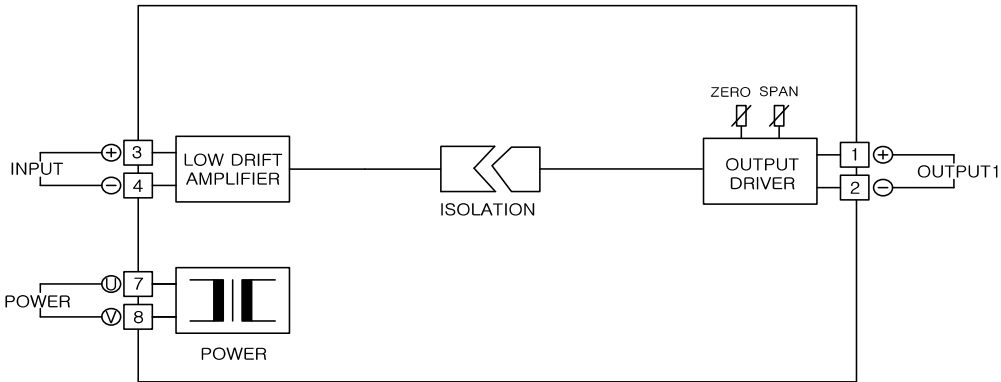
## ● ORDERING CODE SELECTION



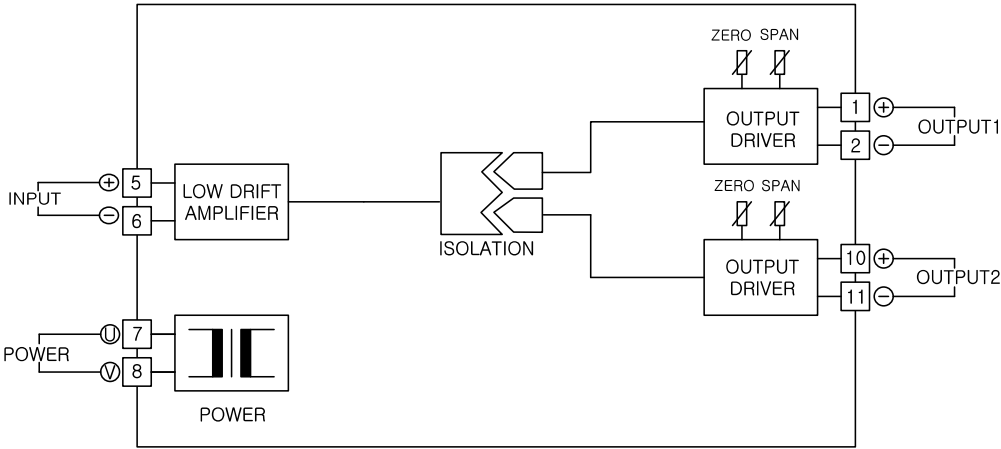
<b>MODEL</b>	<b>AW-ISO</b>
<a href="http://www.autowins.co.kr">www.autowins.co.kr</a>	

# DC SIGNAL ISOLATION CONVERTER

## ● 1 OUTPUT CONNECTION DIAGRAM

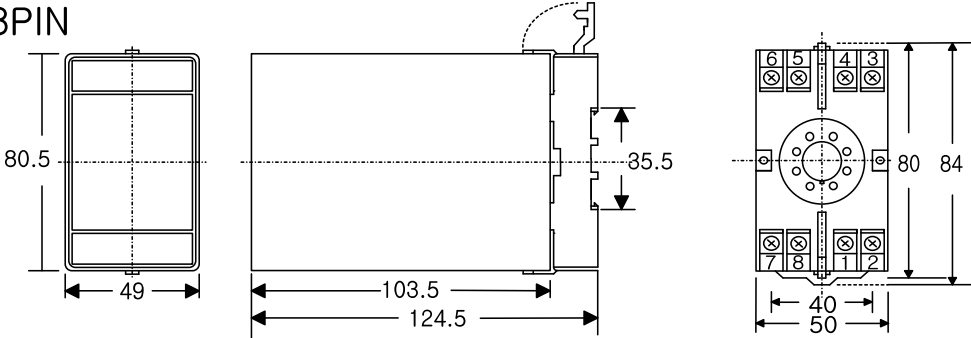


## ● 2 OUTPUT CONNECTION DIAGRAM



## ● DEMENSION

### ■ 8PIN



### ■ 11PIN

