

<b>MODEL</b>	<b>AW - LCC</b>
<b>www.autowins.co.kr</b>	

# LOAD CELL CONVERTER

## ● GENERAL SPECIFICATION

- Construction : Plug -in
- Wring : M3.5 Screw Terminal
- Isolation : Power to Input to Output1 to Output2
- Adjustment : Zero & Span  $\pm 20\%$  of full scale

## ● INPUT

- Input signal : Bridge voltage from load cell
- Rated output from strain guage : 1~20mV/V
- Excitation voltage : 10V standard and others
- Permissible current : 35mA at 10V max



The converter AW-LCC accepts the signal from bridge type strain guage for use in load cell sensors and provides isolated proportional DC outputs.

## ● OUTPUT

- DC VOLTAGE :  $\pm 12V$  Max
- Load Resistance

Output	Resistance
0 ~ 10mV	1K $\Omega$ or more
0 ~ 100mV	1K $\Omega$ or more
0 ~ 1V	1K $\Omega$ or more
0 ~ 5V	2K $\Omega$ or more
0 ~ 10V	4K $\Omega$ or more
-10V ~ 10V	4K $\Omega$ or more

- DC CURRENT : 0 ~ 20mA
- Load Resistance

Output	Resistance
0 ~ 1mA	15K $\Omega$ or less
0 ~ 10mA	1.5K $\Omega$ or less
0 ~ 20mA	750 $\Omega$ or less
1 ~ 5mA	3K $\Omega$ or less
4 ~ 20mA	750 $\Omega$ or less

- Display range : -999~1999,3 1/2 digit (available decimal point)

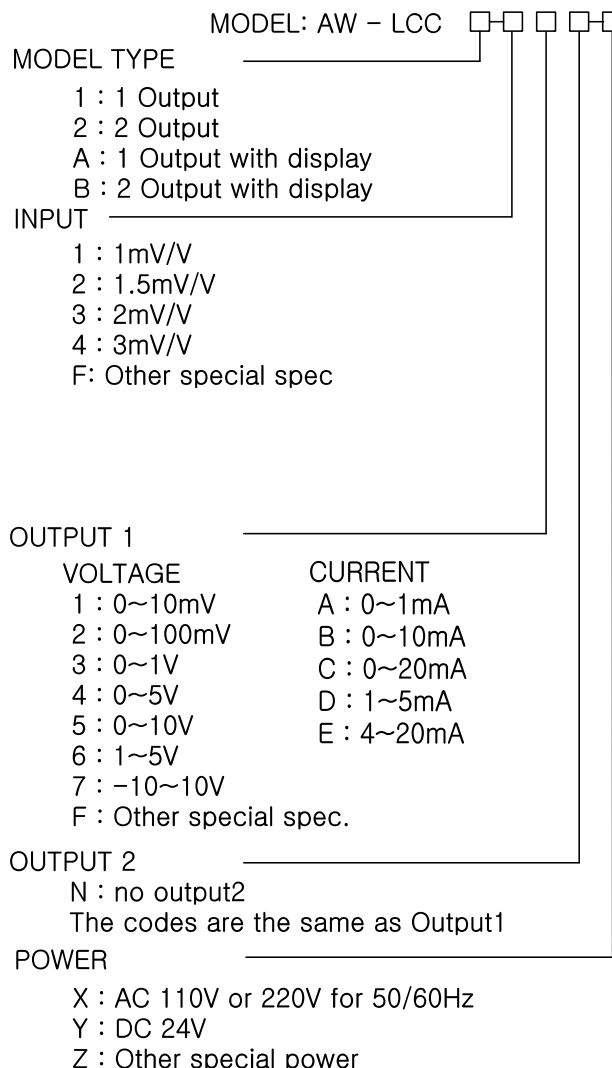
## ● INSTALLATION

- Operating temperature : -5 $^{\circ}C$  ~ 55 $^{\circ}C$
- Operating humidity : 90%RH Max (none condensing)
- Power supply
  - AC : 110V or 220V/60Hz  $\pm 10\%$ , approx 3VA
  - DC : 18V ~ 30V  $\pm 10\%$ , approx 3VA
- Power selection : AC 110V/220V Switch in the back plane
- Mounting : Wall or DIN rail

## ● PERFORMANCE

- Accuracy :  $\pm 0.2\%$
- Temp'coefficient :  $\pm 0.015/\%$
- Response time : 0.5 Sec or less(0~90%)
- Insulation resistance : 100M $\Omega$  or more with 500VDC(Input/Output/Power)
- Dielectric strength : 1500VAC at 1minute (Input to Output to Power)

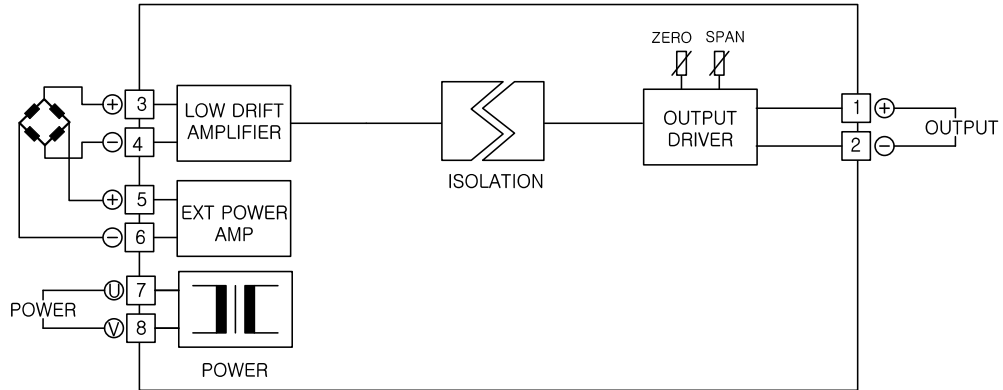
## ● ORDERING CODE SELECTION



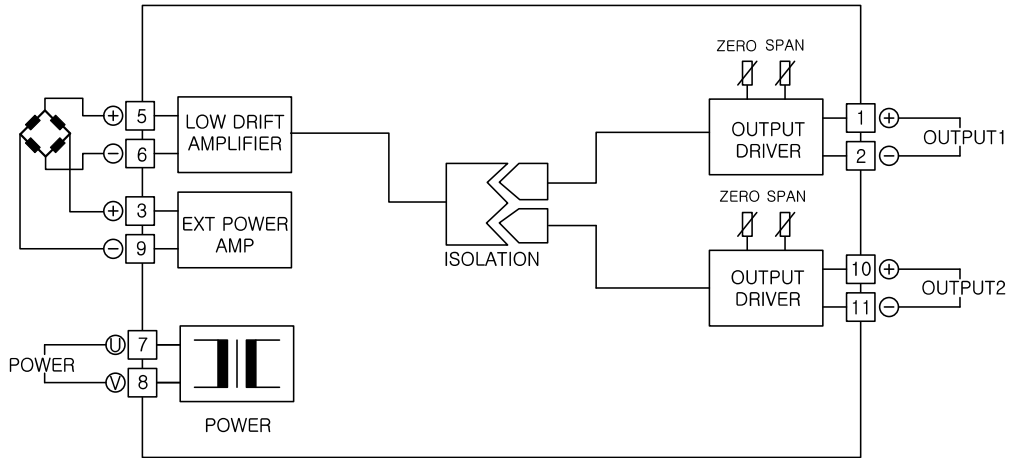
<b>MODEL</b>	<b>AW - LCC</b>
<b>www.autowins.co.kr</b>	

# LOAC CELL CONVERTER

## ● 1 OUTPUT CONNECTION DIAGRAM

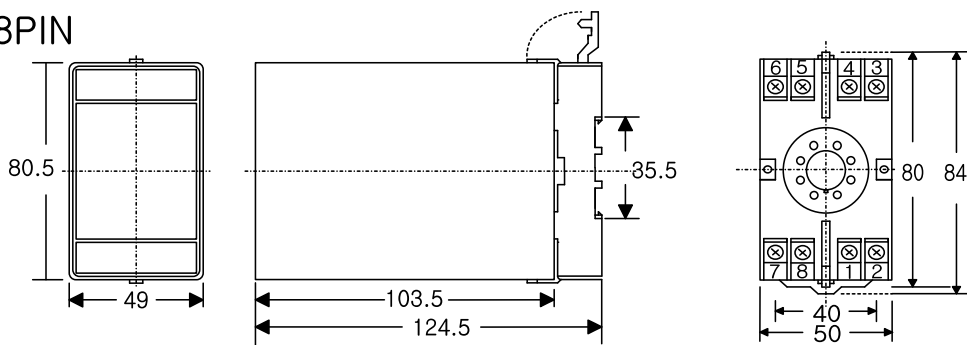


## ● 2 OUTPUT CONNECTION DIAGRAM



## ● DEMENSION

### ■ 8PIN



### ■ 11PIN

