

MODEL

AW - SUB

www.autowins.co.kr

# DC SIGNAL SUBTRACTOR

## ● GENERAL SPECIFICATION

- Construction : Plug -in
- Wring : M3.5 Screw Terminal
- Isolation : Power to Input to Output1 to Output2
- Adjustment : Zero & Span ± 20% of full scale

## ● INPUT

### ◆ DC VOLTAGE

- Range : ± 300V Max
- Resistance : 20KΩ Min at ± 1V  
1MΩ Min at ± 10V

### ◆ DC CURRENT

- Range : 50mA Max
- Resistance : 250Ω Max

## ● OUTPUT

- DC VOLTAGE : ± 12V Max
- Load Resistance

| Output     | Resistance  |
|------------|-------------|
| 0 ~ 10mV   | 1KΩ or more |
| 0 ~ 100mV  | 1KΩ or more |
| 0 ~ 1V     | 1KΩ or more |
| 0 ~ 5V     | 2KΩ or more |
| 0 ~ 10V    | 4KΩ or more |
| -10V ~ 10V | 4KΩ or more |

- DC CURRENT : 0 ~ 20mA
- Load Resistance

| Output   | Resistance    |
|----------|---------------|
| 0 ~ 1mA  | 15KΩ or less  |
| 0 ~ 10mA | 1.5KΩ or less |
| 0 ~ 20mA | 750Ω or less  |
| 1 ~ 5mA  | 3KΩ or less   |
| 4 ~ 20mA | 750Ω or less  |

- Display range : -999~1999,3 1/2 digit (available decimal point)

## ● INSTALLATION

- Operating temperature : -5℃ ~ 55℃
- Operating humidity : 90%RH Max (none condensing)
- Power supply
  - AC : 110V or 220V/60Hz ± 10%, approx 3VA
  - DC : 18V ~ 30V ± 10%, approx 3VA
- Power selection : AC 110V/220V Switch in the back plane
- Mounting : Wall or DIN rail

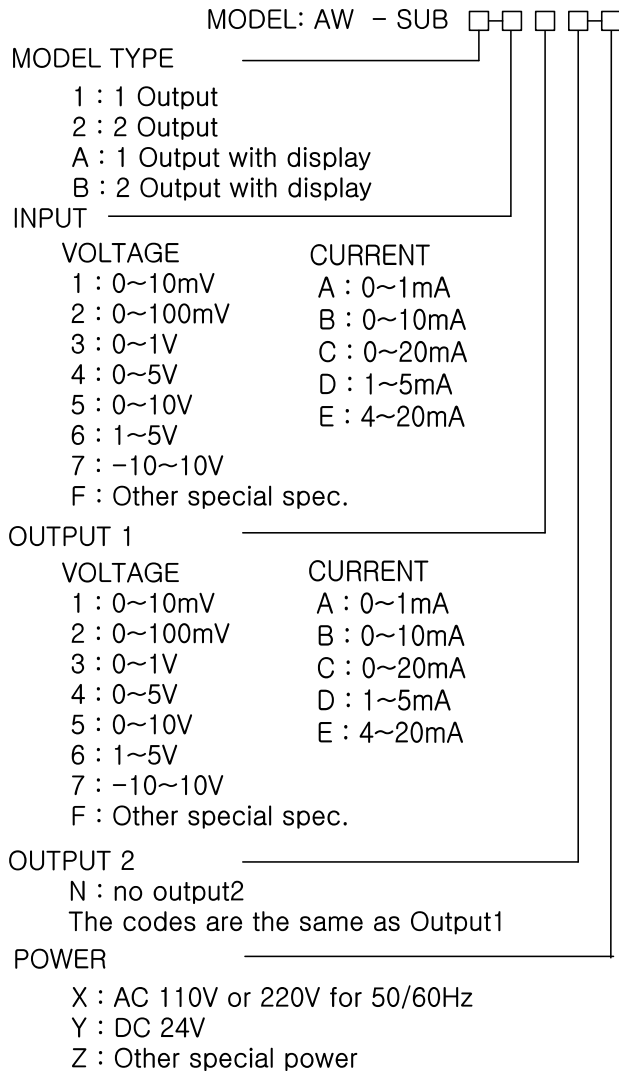
## ● PERFORMANCE

- Accuracy : ± 0.2%
- Temp'coefficient : ± 0.015/°C
- Response time : 0.5 Sec or less(0~90%)
- Insulation resistance : 100MΩ or more with 500VDC(Input/Output/Power)
- Dielectric strength : 1500VAC at 1minute (Input to Output to Power)



The converter AW - SUB subtracts a input "B" from another input "A", and provides isolated proportional DC outputs(value are average of (A-B)).

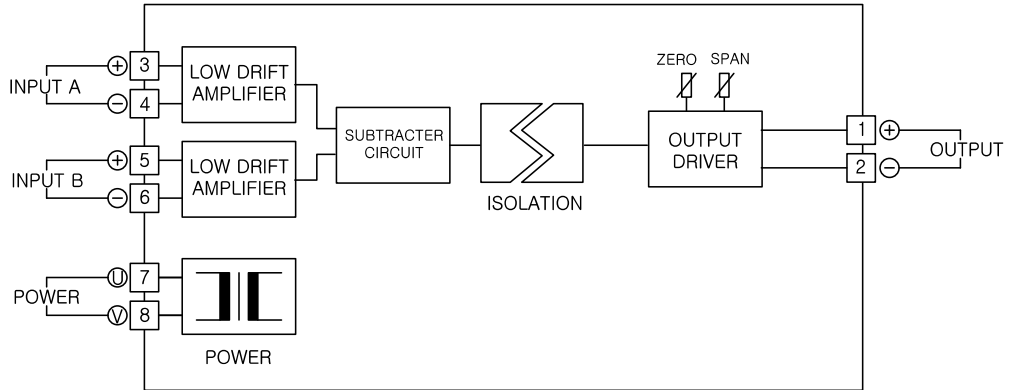
## ● ORDERING CODE SELECTION



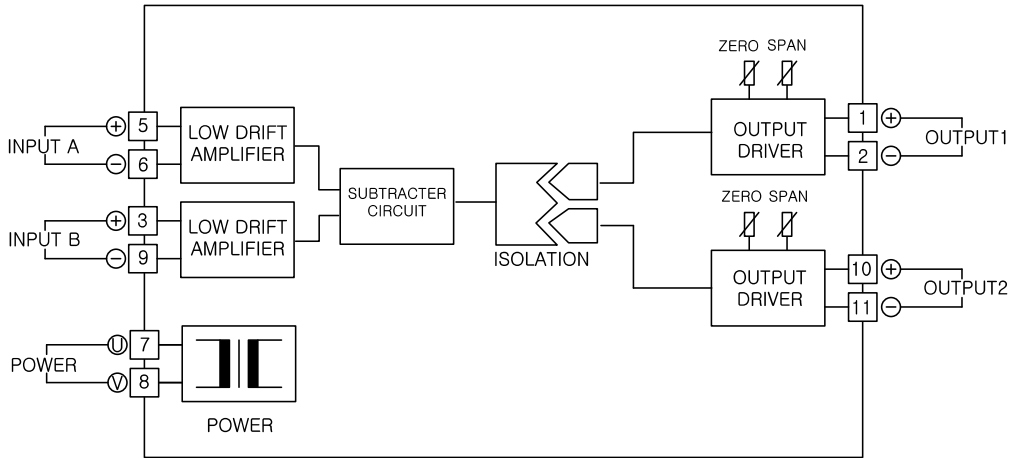
|                           |                 |
|---------------------------|-----------------|
| <b>MODEL</b>              | <b>AW - SUB</b> |
| <b>www.autowins.co.kr</b> |                 |

# DC SIGNAL SUBTRACTER

## ● 1 OUTPUT CONNECTION DIAGRAM

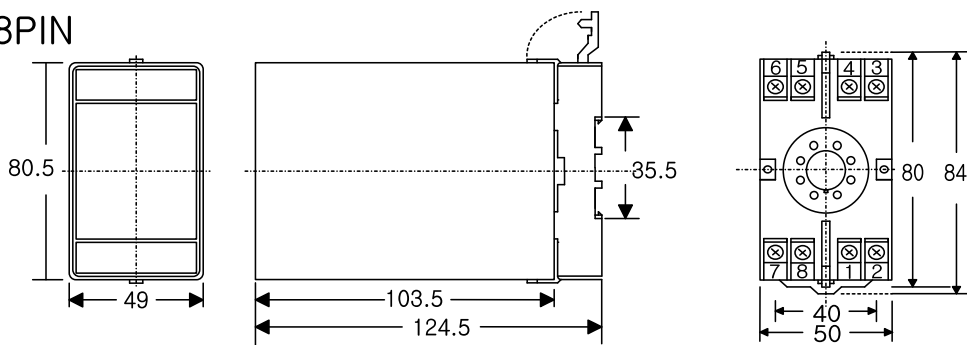


## ● 2 OUTPUT CONNECTION DIAGRAM



## ● DEMENSION

### ■ 8PIN



### ■ 11PIN

