



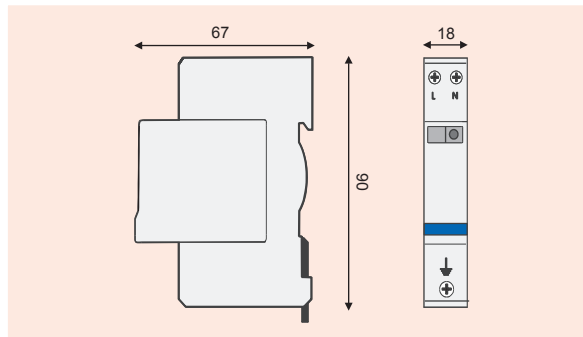
DC power supply surge protector DS210..D C



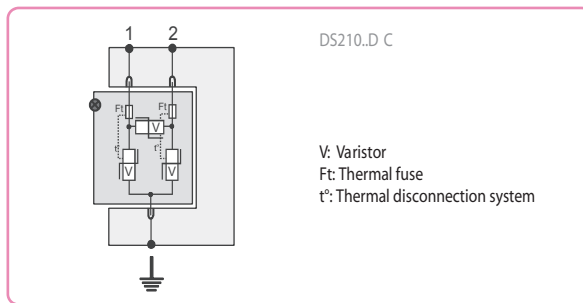
The DS210..DC surge protector is designed to protect equipment connected to DC (and AC) power supplies from lightning surges. It is based on varistors matched to the network voltage (12, 24, 48, 75, 95, 110 and 130Vdc): the varistors have thermal disconnection devices to control any end-of-life case. A green LED that indicates «Power On» when lit and «Disconnection» when off facilitates maintenance. In addition, the «surge protection» function is pluggable to make replacement simple and rapid (spare module : DSM210..DC).

The DS210..DC is DIN rail compatible and is connected in parallel on the line to be protected.

Dimensions (in mm)



Electrical diagram



- Surge protector for DC supplies
- From 12 to 130V
- Discharge currents : I_{max} : 2 to 6 kA
- Disconnection indicator
- Pluggable module

Characteristics

CITEL part number		DS210-12DC	DS210-24DC	DS210-48DC	DS210-75DC	DS210-95DC	DS210-110DC	DS210-130DC
Nominal DC voltage	Un -dc	12 Vdc	24 Vdc	48 Vdc	75 Vdc	95 Vdc	110 Vdc	130 Vdc
Maximal AC voltage	Uc	10 Vac	15 Vac	40 Vac	60 Vac	75 Vac	95 Vac	115 Vac
Maximal DC voltage	Uc -dc	15 Vdc	30 Vdc	56 Vdc	85 Vdc	100 Vdc	125 Vdc	150 Vdc
Nominal discharge current	In	1 kA	1 kA	1 kA	2 kA	2 kA	2 kA	2 kA
	15 x 8/20 μs impulses							
Maximum discharge current	I _{max}	2 kA	2 kA	2 kA	6 kA	6 kA	6 kA	6 kA
	Ma x withstand 8/20 μs							
Protection level (at In)	Up	85 V	105 V	180 V	250 V	300 V	350 V	400 V
Associated disconnection devices								
Thermal disconnector		internal						
Fuses		Fuses type gG - 10 A						
Mechanical characteristics								
Dimensions		see diagram						
Connection		by screw terminals : 1.5-10 mm ² (active wires) - 2,5-25 mm ² (Ground)						
Disconnection indicator		Green led off						
Mounting		symmetrical rail 35 mm						
Operating temperature		-40/+85 °C						
Protection class		IP20						
Housing material		Thermoplastic UL94-V0						