



Telecom Surge Protectors

MJ8-2RN, B180T/MJ6, M80C1-T, MJ6-1T



MJ8-2RN



MJ6-1T



M80C1-T

These surge protectors are designed to protect sensitive telecom terminals (modems, fax machines, wireless telephone sets...) against lightning surges. They are equipped with standard telecom connection allowing easy and instantaneous installation.

The protection diagram combines a gas discharge tube with fast clamping diode, in order to provide maximum efficiency. These units need no special maintenance (it returns to its initial state after a disturbance has been discharged). But if a major fault occurs, the surge protector sacrifices itself (line/ground short-circuit): the resulting interruption of transmission reports the fault, and the protector must then be replaced.

MJ8-2RN

Designed for ISDN terminal, the MJ8-2RN surge protector features in/out RJ45 connectors in compliance with T0/S0 ISDN requirements. Fast wall or frame mounting by self-gripping fasteners.

B180-T/MJ6

Compatible with RJ11 connector, it protects one PSTN or ADSL line. Instantaneous installation on between existing plugs. Fast wall or frame mounting by self-gripping fasteners.

MJ6-1T and MJ4-1T

Compatible with RJ11 or RJ9 connector, it protects one PSTN or ADSL line. Connection to line by screw terminal and connection toward protected equipment on RJ11 or RJ9 connectors. Wall mounting.

M80C1-T

Compatible with French telephone plug, it protects one PSTN or ADSL line. Instantaneous installation on wall telephone outlet. Earthing by plugging the power cord, featured with the surge protector, in a close AC power outlet.

Characteristics

CITEL part number	MJ8-2RN	B180-T/MJ6	M80C1-T	MJ6-1T	MJ4-1T
Type of line	ISDN T0/S0	PSTN/ADSL	PSTN/ADSL	PSTN/ADSL	PSTN/ADSL
Max. line voltage (Uc)	48 V	170 V	170 V	170 V	170 V
Residual voltage (Up)	70 V	210 V	210 V	210 V	210 V
Nominal discharge current (In)	2,5 kA	2,5 kA	2,5 kA	5 kA	5 kA
I/O connections	RJ45 input/output	RJ11 input/output	French telephone plug in/out	RJ11 output/screw terminal	RJ9 output/screw terminal
Connector wiring	4-5/3-6	3-4	1-3	3-4	2-3
Mounting	on equipment frame	on equipment frame	on wall outlet	wall	wall
Earthing	by wire, on equipment frame	by wire, on equipment frame	by power cord	on internal screw connection	on internal screw connection
Type of diagram	B	A	A	A	A



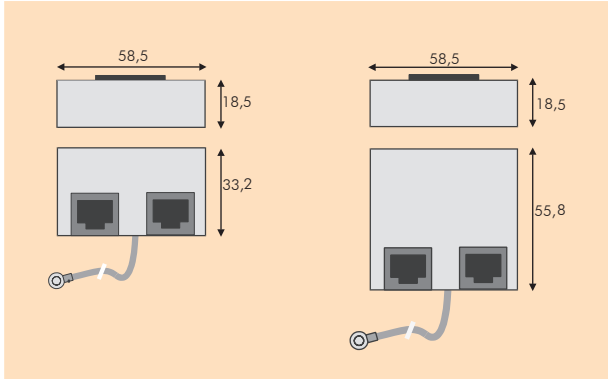
Telecom Surge Protectors

MJ8-2RN, B180T/MJ6, M80C1-T, MJ6-1T

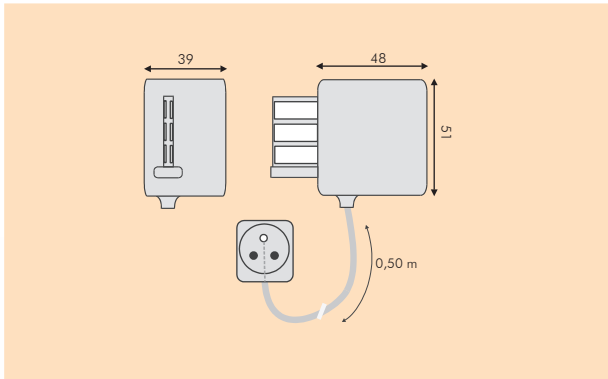
Dimensions (in mm)

B180T/MJ6

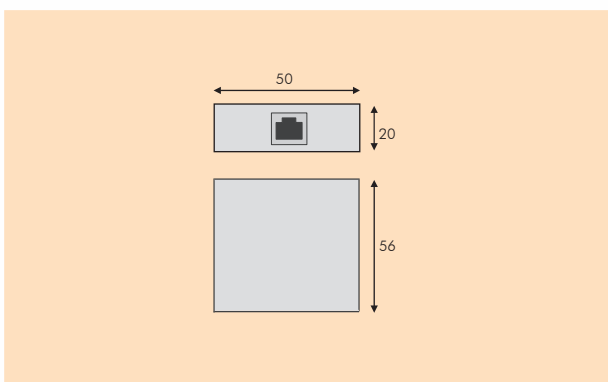
MJ8-2RN



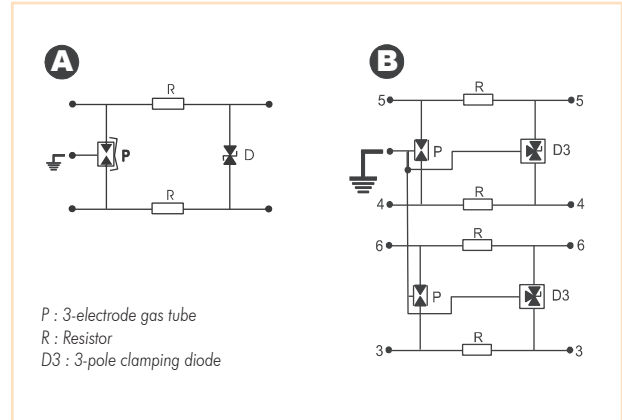
M80C1-T



MJ6-1T/MJ4-1T



Electrical diagrams



- Protection for one telephone line
- Instantaneous installation
- RJ11 or French telephone plug
- RJ45 connector for ISDN

