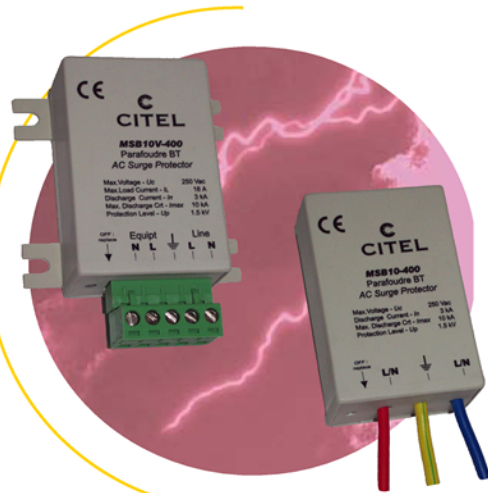


# Hard-wired AC Surge Protection

MSB10-400  
MSB10V-400



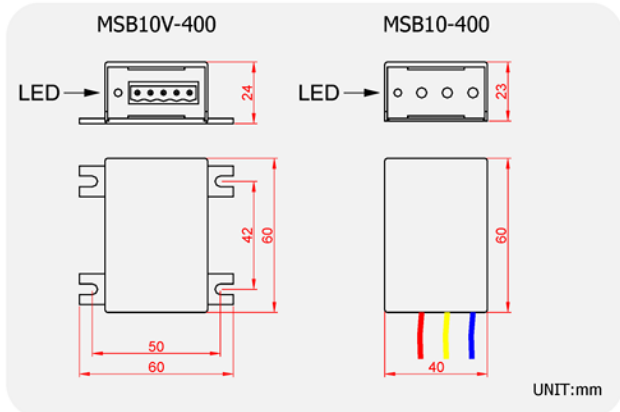
These surge protector units are designed to protect a single-phase input and are recommended for mounting on a board or in a utility box.

This series lets you choose a product by housing (metal or plastic), dimensions, performance, connection mode (series or parallel), or type of connection (wires or screw terminal block).

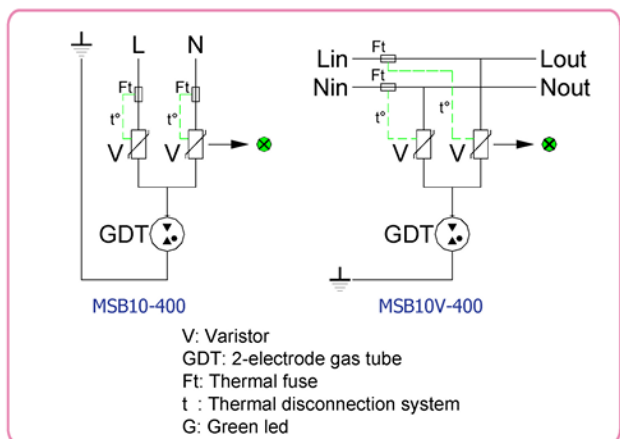
This compact plastic housing includes an electrical diagram based on thermally protected varistors and gas tube. The unit is equipped with a led to indicate the right operation of the surge protection circuit.

When the led is switched off, it indicates that the protector is disconnected following a major defect, in this case, the protector should be replaced.

## Dimensions



## Electrical diagrams



- Operating indicators
- Comply with IEC 61643-1 & EN 61643-11

## Characteristics

Citel part number	MSB10-400	MSB10V-400
Configuration Protected	in parallel	In series
Max. Voltage	250 Vac	250 Vac
Max. Load Current	—	16 A
Nominal Discharge Current 10 X 8/20 μs impulses	3 kA	3 kA
Max. Discharge Current 1 X 8/20 μs impulses	10 kA	10 kA
Operating indicator	Green led	Green led
Protection Level	1.5 kV	1.5 kV
Connections	Wire	Screw
Mount	On cable	On wall