

Under/Overvoltage protection with automatic reset

VM230F



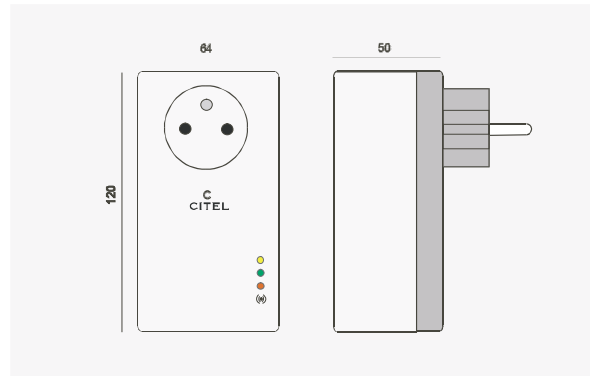
The VM230F protects equipment connected to the single-phase power network from damage by lasting under and overvoltages (several seconds) caused by distribution network fluctuations, short-circuits between networks, connection errors, and neutral disconnection. The VM230F also protects against voltage surges (lightning).

The VM230F monitors the network voltage and cuts off power to your equipment if there is anything wrong (undervoltage, overvoltage), thereby preventing destruction or erratic operation. After the fault disappears, it automatically reconnects the equipment to the network.

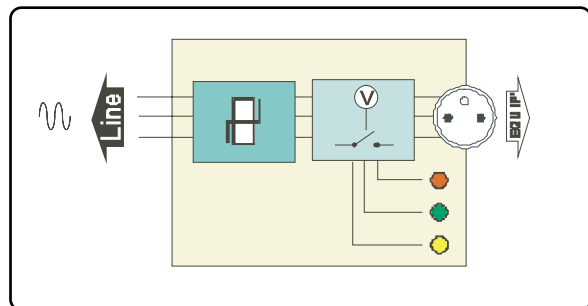
The VM230F comes in a plug-in outlet box, making it very simple to use. It is available with French and German outlets .

- **Long-duration overvoltage protection**
- **Automatic operation**
- **Integrated Transient overvoltage Protection**
- **Operating LED indicators**
- **Alarm by Buzzer**
- **Rapid installation**

Dimensions (in mm)



Electrical diagram



Characteristics

Disconnection and reset voltages	
- Undervoltage	Disconnection 170V
- Overvoltage	Disconnection 270V,
Nominal voltage	230V, 50 Hz
Breaking capacity	16A, 3,6 kW
Disconnection delay	1 second typical
Reset delay	1 second typical
Operating check lights	
- Red LED	Overvoltage (power off)
- Green LED	Voltage OK
- Orange LED	Undervoltage (power off)
- Buzzer	Under or Over-voltage
Transient overvoltage protection	
- Protection level (Up)	1,5 kV
- Nominal discharge current (In)	2,5 kA
- Max. discharge current (Imax)	6,5 kA